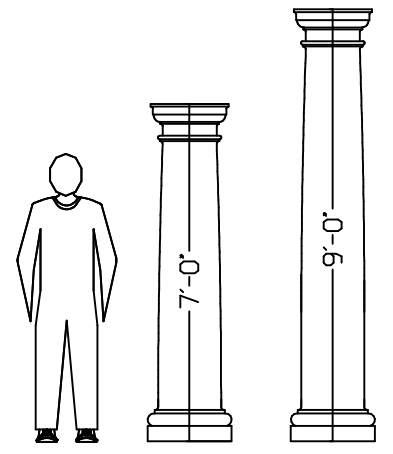
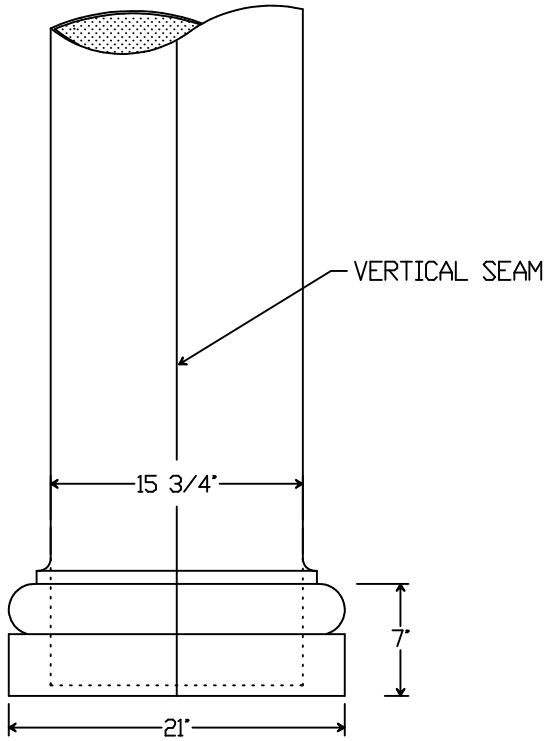
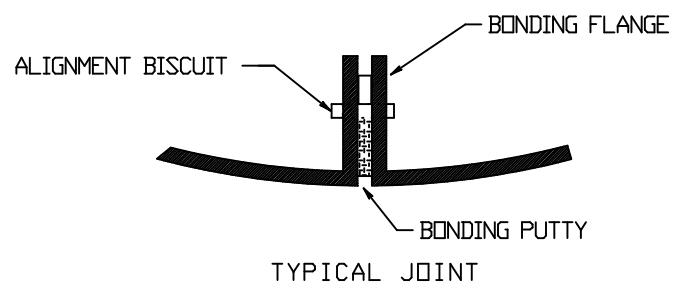


COLUMN	Tuscan	S-09-0-T
Height Range	7'-0" thru 9'-0"	
Capital	19 1/2" sq	
Base	21 separate	
Throat	13 1/2"	
Shaft	15 3/4"	
Column is molded in halves		
Bonding flanges continuous		
Shipping weight approx.		90 LB.



MODEL S - 09 - 0 - T

**FLORIDA**  
**COLUMNS**

MANUFACTURED BY:  
© ALL RIGHTS RESERVED

**SPAULDING CRAFT INC.**  
TEL 727-726-2316 FAX 725-2897