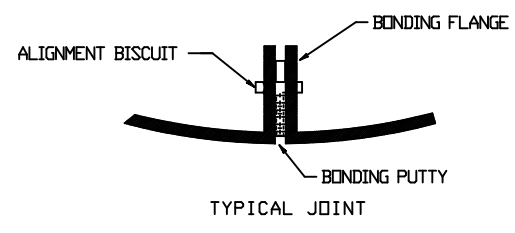
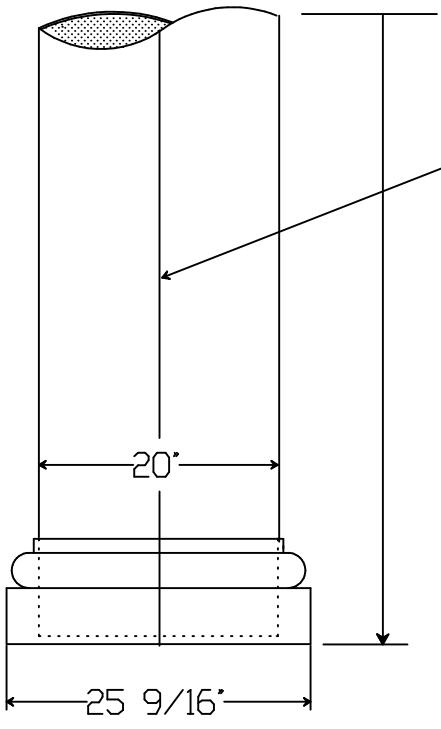
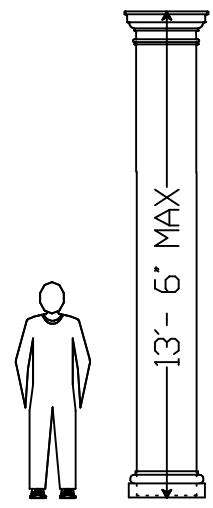


COLUMN	Tuscan	S-9-SS
Height	13'-6"	
Capital	27 1/2" sq.	
Base	25 9/16 separate	
Shaft Straight	20" Diam.	
Column is molded in halves		
Bonding flanges continuous		
Shipping weight approx.		100 lb.



VERTICAL SEAM



MODEL S-09-SS-T

FLORIDA
COLUMNS

MANUFACTURED BY:
© ALL RIGHTS RESERVED

SPAUDING CRAFT INC.
TEL 727-726-2316 FAX 725-2897