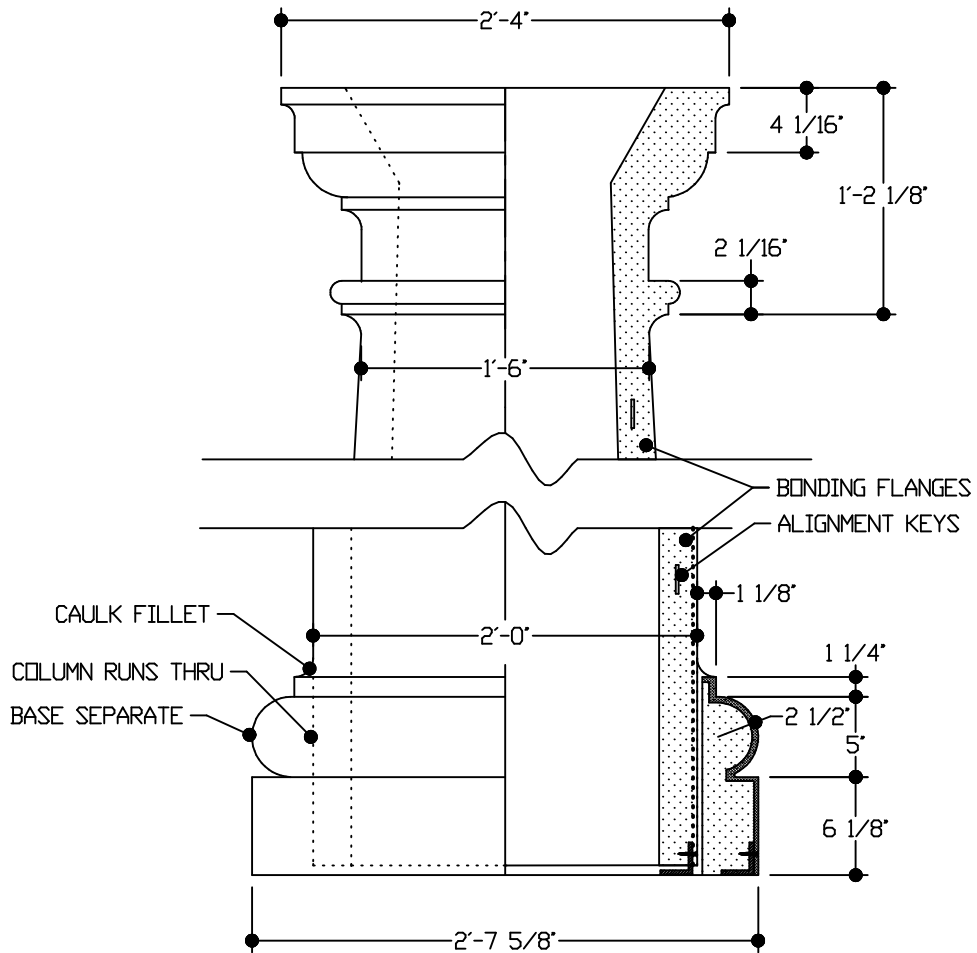


BASE ATTACHMENT DETAIL



CF FLORIDA  
C O L U M N S

S - 0 9 - 0 - D

MANUFACTURED BY:  
© ALL RIGHTS RESERVED

SPAULDING CRAFT INC.  
TEL 727-726-2316 FAX 725-2897