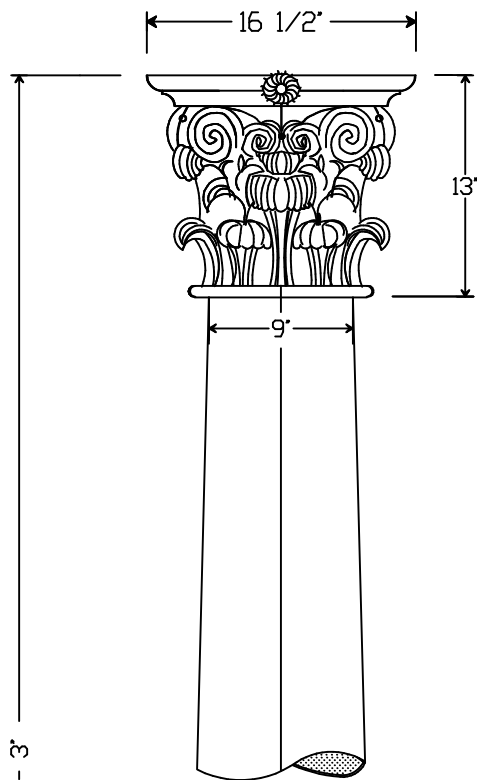
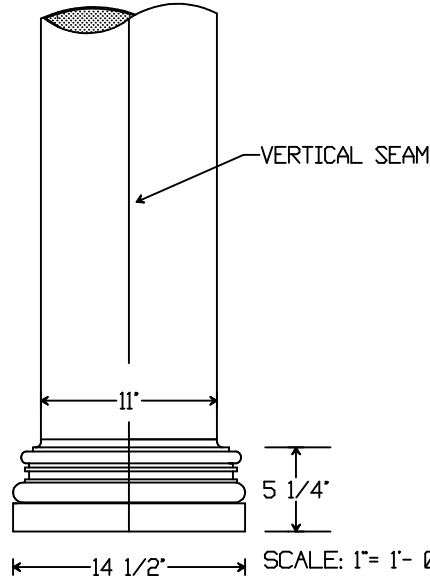


COLUMN	CORINTHIAN	S-09-3-C
Height	7'-0" to 9'-3"	
Capital	16 1/2"	
Base	14 1/2" separate	
Shaft	11"	
Throat	9"	
Column is molded in halves		
Bonding flanges continuous		
Shipping weight approx.		75lb.



9'-3"



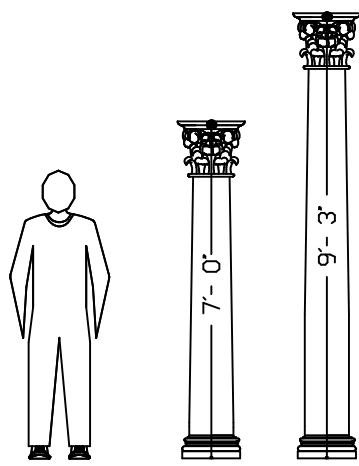
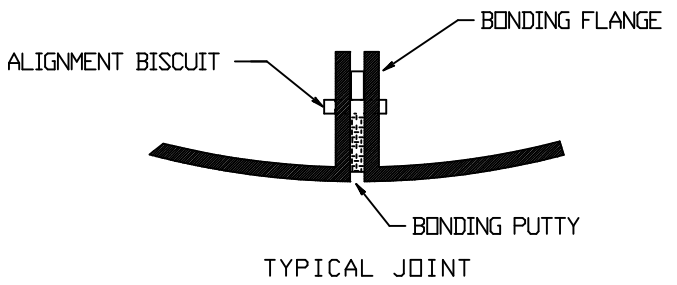
ROUND
SQUARE

VERTICAL SEAM

5 1/4"

14 1/2"

SCALE: 1" = 1'-0"



MODEL S-09-3-C

FLORIDA
COLUMNS

MANUFACTURED BY:
© ALL RIGHTS RESERVED

SPAULDING CRAFT INC.
TEL 727-726-2316 FAX 725-2897