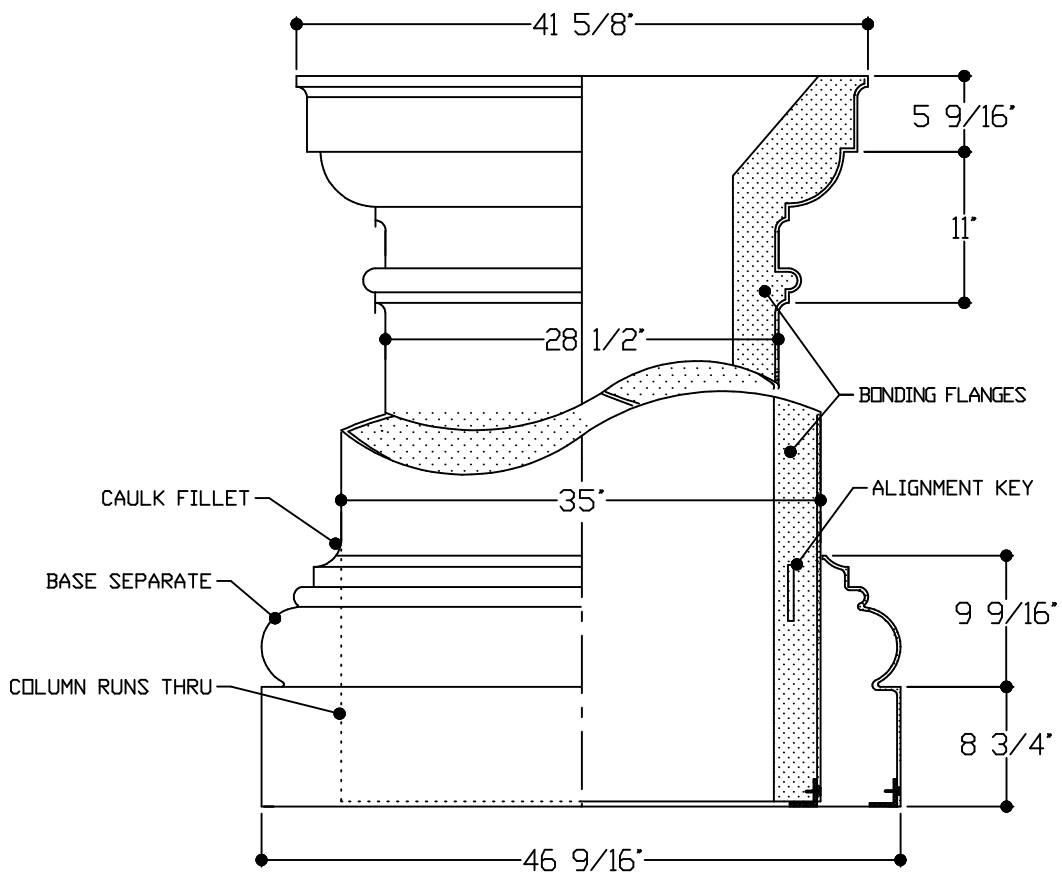


BASE ATTACHMENT DETAILS



S - 20 - 0 - D

CF FLORIDA
C O L U M N S

MANUFACTURED BY:
© ALL RIGHTS RESERVED

SPAULDING CRAFT INC.
TEL 727-726-2316 FAX 725-2897