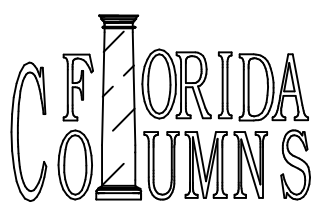
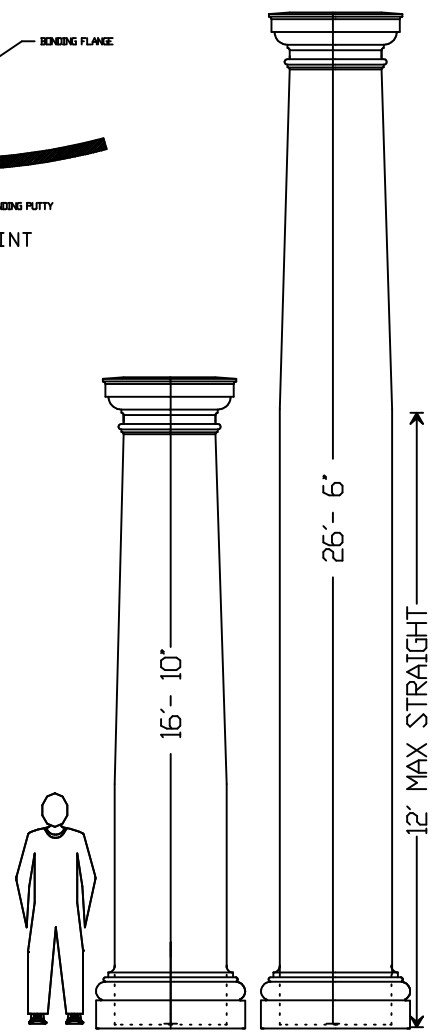
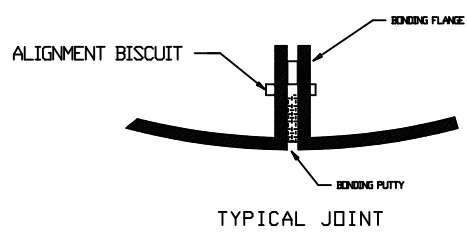
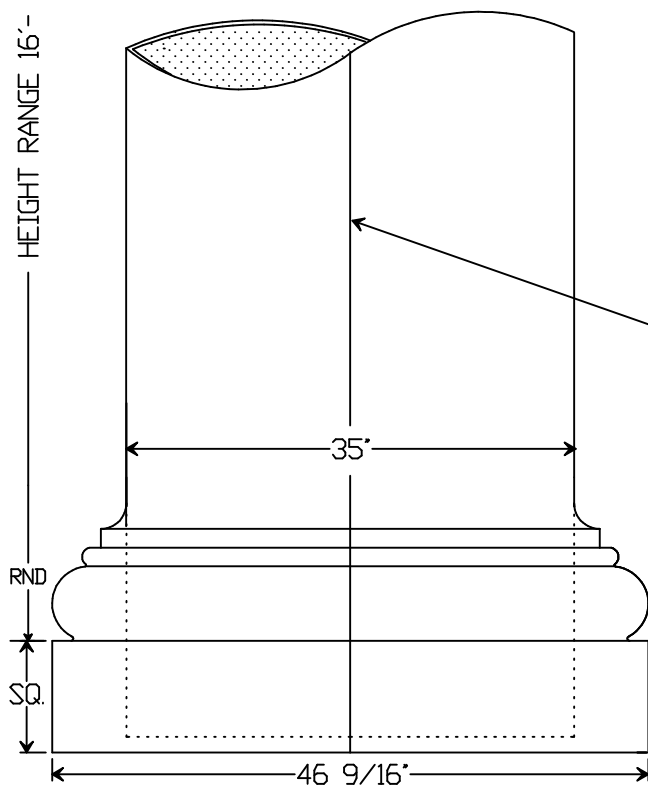
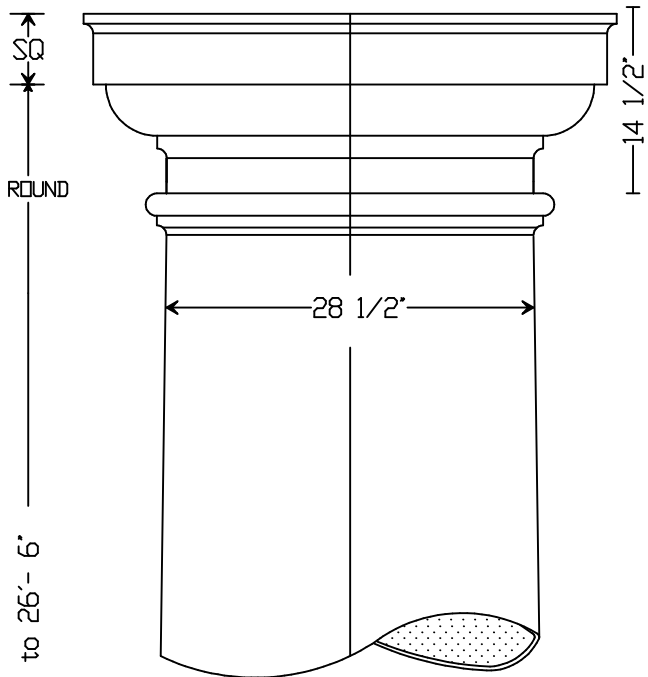


COLUMN	DORIC	S-20-0-D
Height	16'-10" to 26'-6"	
Capital	41 5/8" sq.	
Base	46 9/16" sq. separate	
Throat	28 1/2"	
Shaft	35"	
Column is molded in halves		
Bonding flanges continuous		
Shipping weight approx. 175lbs.		



MANUFACTURED BY:
 © ALL RIGHTS RESERVED

MODEL S-20-0-D
 SPAULDING CRAFT INC.
 TEL 727-726-2316 FAX 725-2897