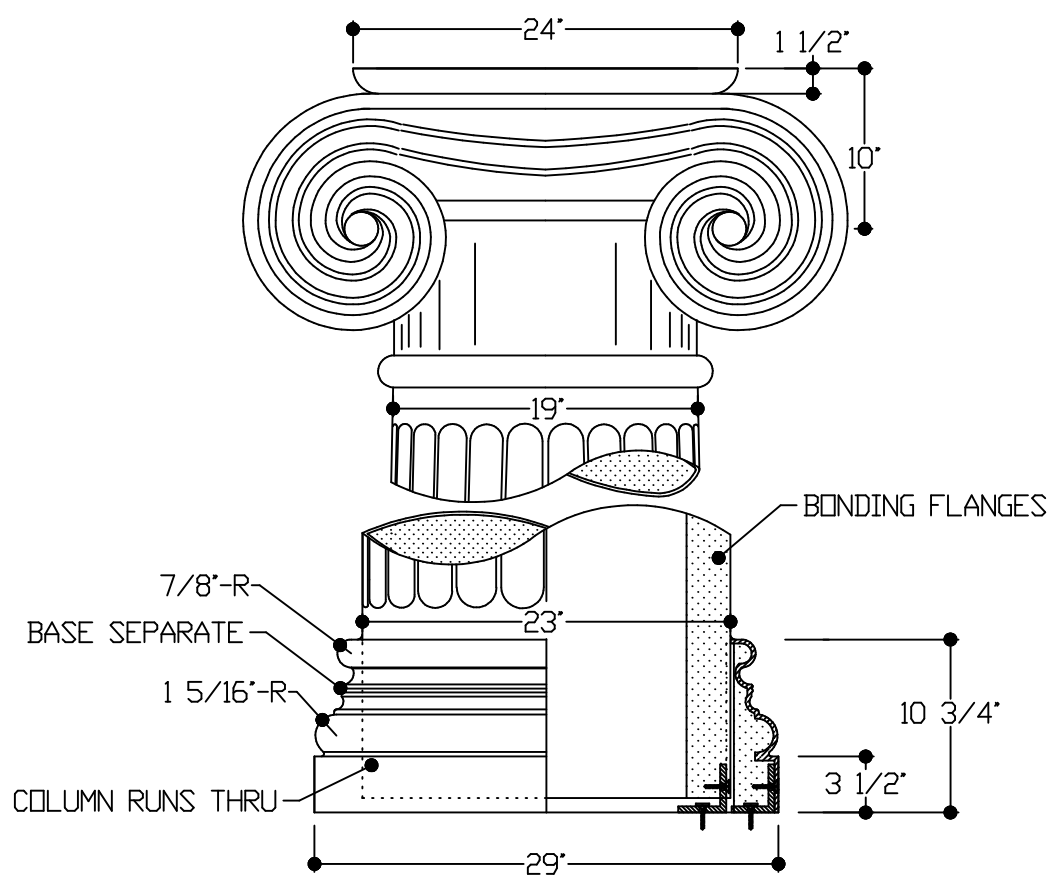
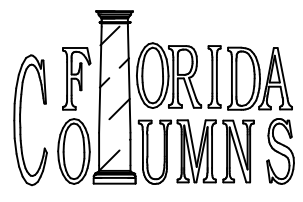


BASE ATTACHMENT DETAILS



S - 18 - 0 - I



MANUFACTURED BY: SPAULDING CRAFT INC.  
 © ALL RIGHTS RESERVED TEL 727-726-2316 FAX 725-2897