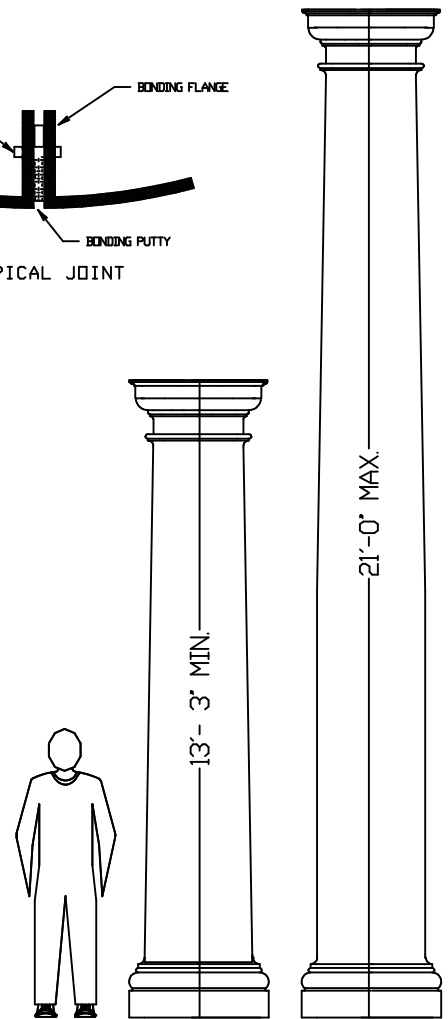
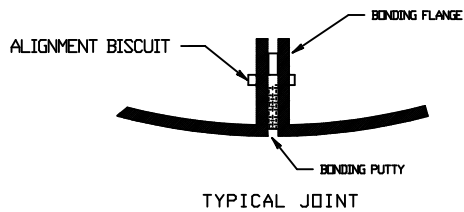
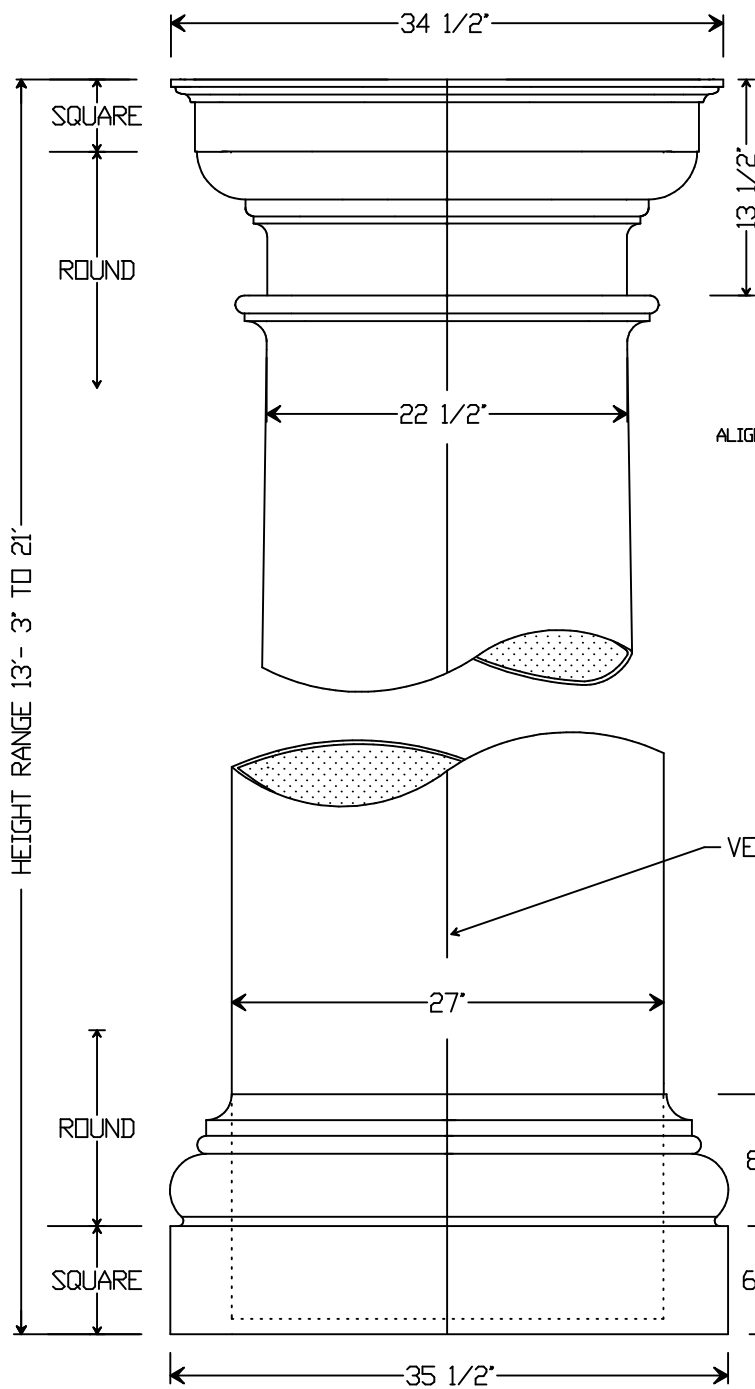


Column	Doric	S-18-0-D
Height	13'- 3" TO 21'- 0	
Capital	34 1/2" sq.	
Base	35 1/2" sq. separate	
Throat	22 1/2"	
Shaft	27"	
Column is molded in halves		
Bonding flanges continuous		
Shipping weight approx. 150LB.		



MODEL S - 18 - 0 - D



MANUFACTURED BY:
© ALL RIGHTS RESERVED

SPALDING CRAFT INC.
TEL 727-726-2316 FAX 725-2897