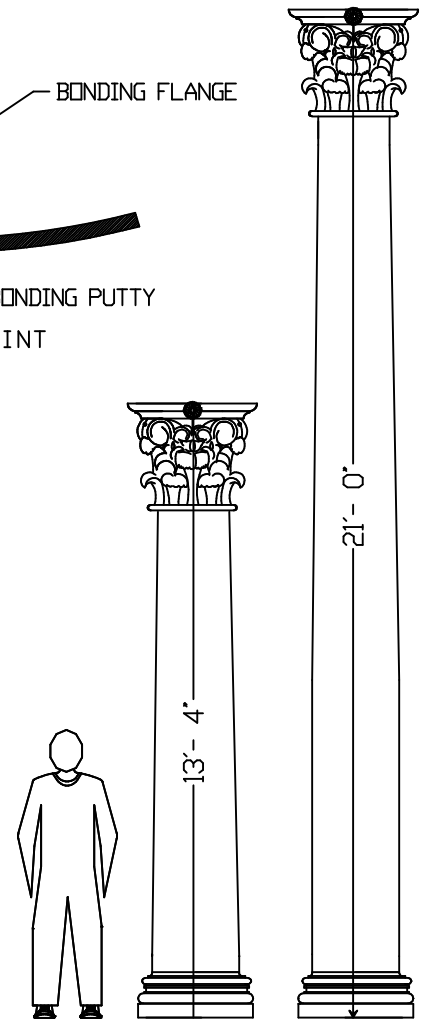
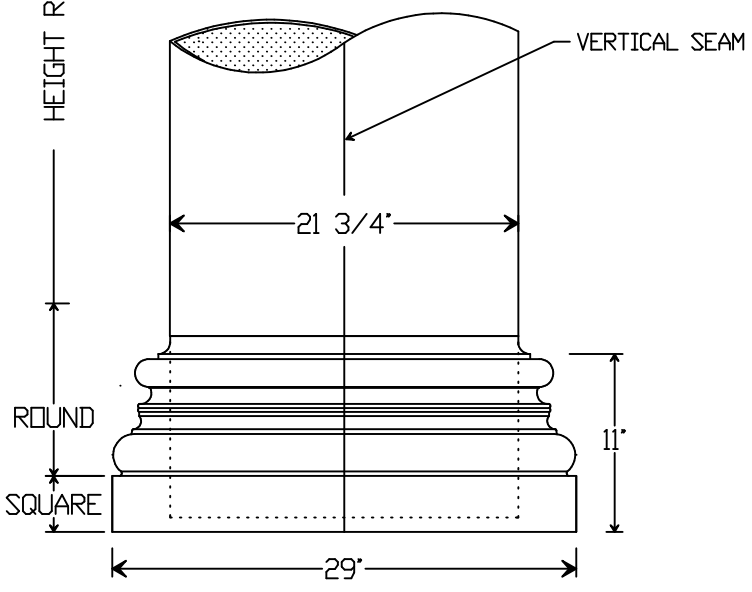
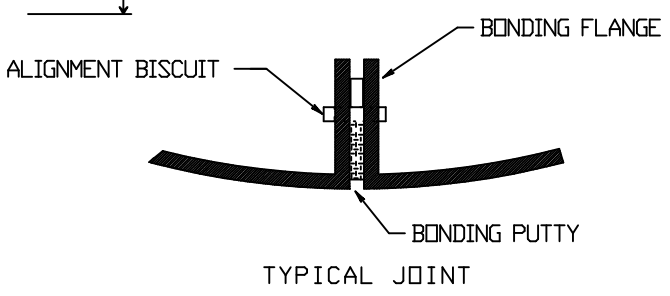
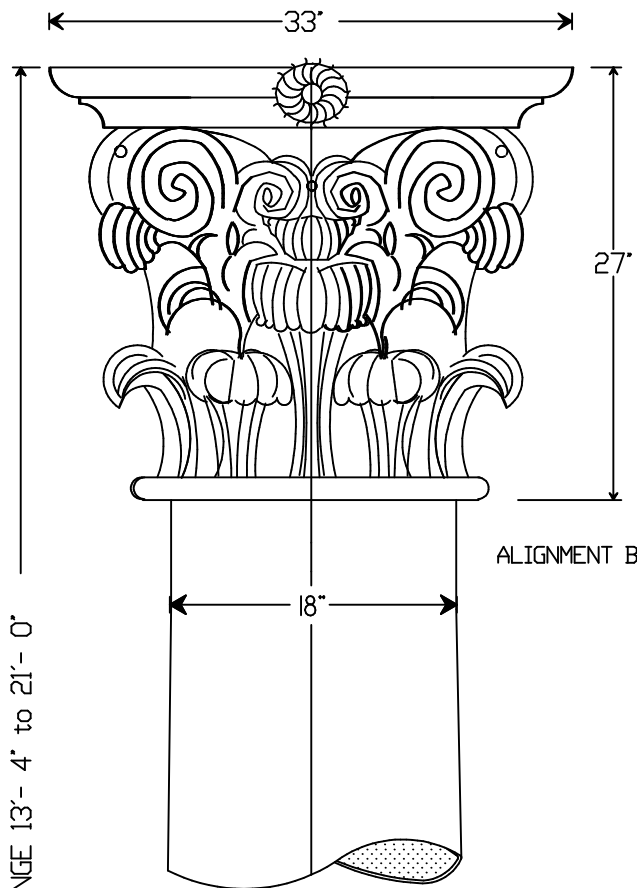


COLUMN	CORINTHIAN	S-18-0-C
Height	13'- 4" to 21'- 0"	
Capital	33"	
Base	29"sq. separate	
Shaft	21 3/4"	
Throat	18"	
Column is molded in halves		
Bonding flanges continuous		
Shipping weight approx.		160lbs.



MODEL S - 18 - 0 - C

FLORIDA
COLUMNS

MANUFACTURED BY:
© ALL RIGHTS RESERVED

SPAULDING CRAFT INC.
TEL 727-726-2316 FAX 725-2897