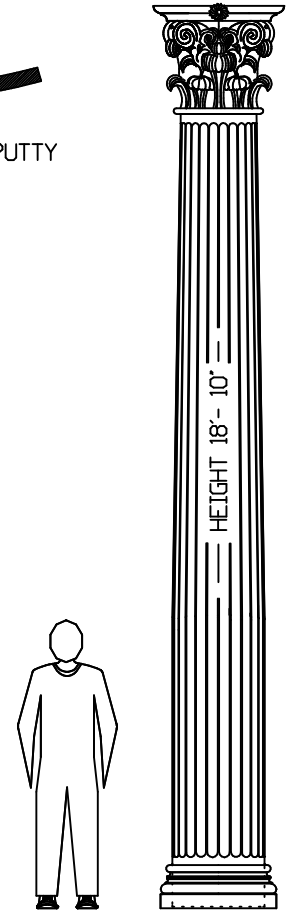
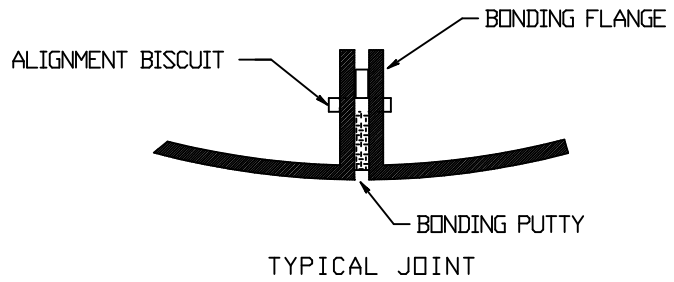
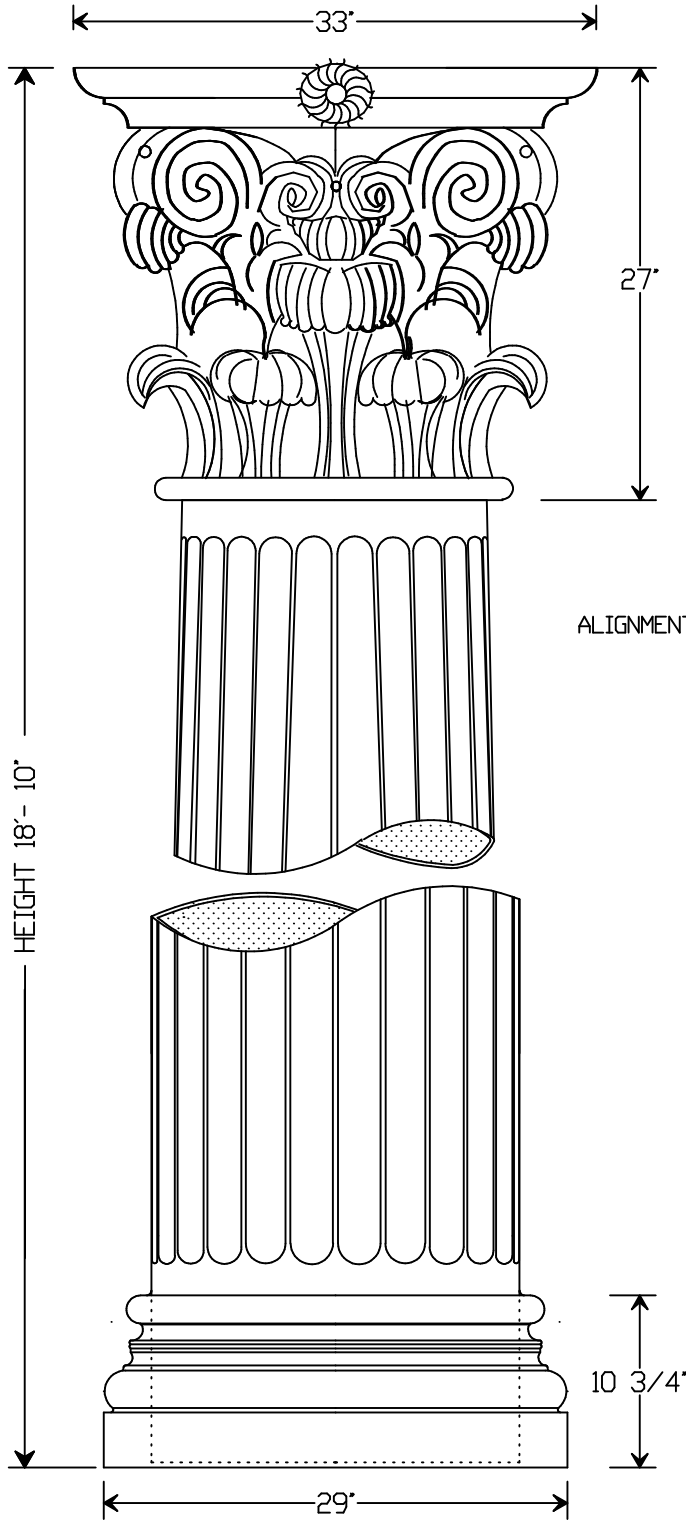


COLUMN	CORINTHIAN S-18-10-CF
Height	18'-10" FLUTED
Capital	33"
Base	29" sq. separate
Shaft	23"
Throat	19"
Column is molded in halves	
Bonding flanges continuous	
Shipping weight approx. 160 lbs.	



MODEL S-18-10-CF

FLORIDA
COLUMNS

MANUFACTURED BY:
© ALL RIGHTS RESERVED

SPAUDING CRAFT INC.
TEL 727-726-2316 FAX 725-2897