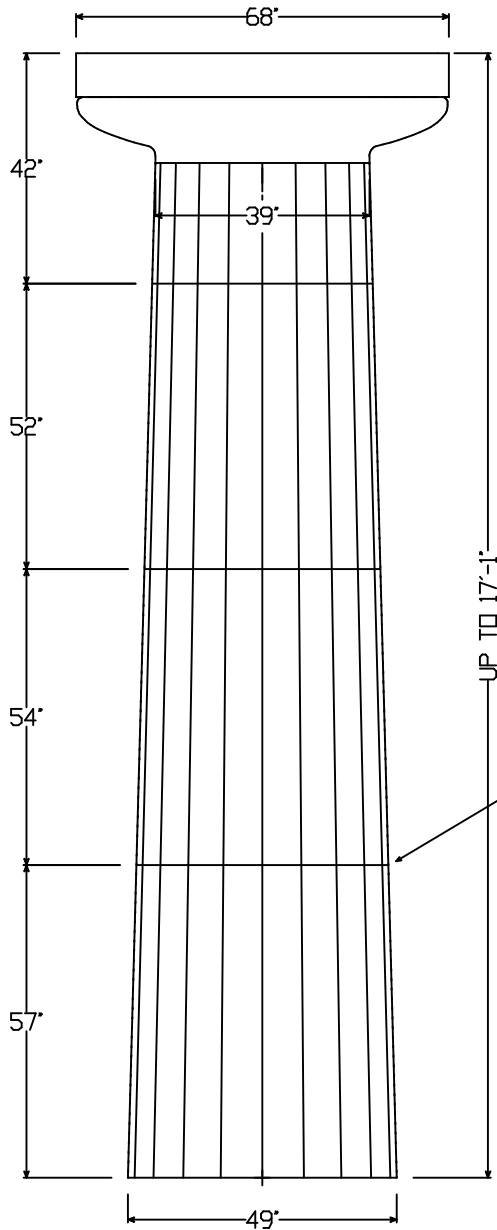
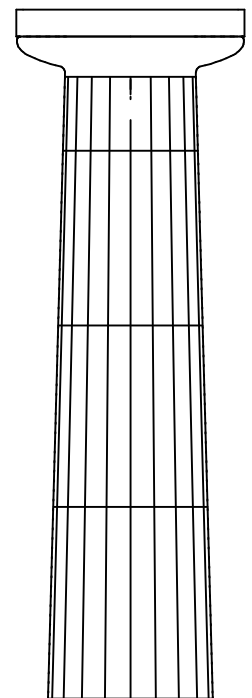
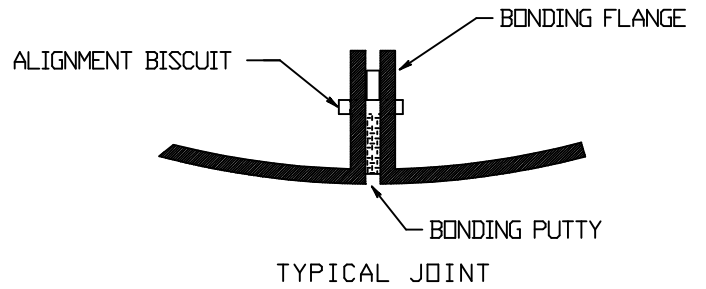


COLUMN	GREEK	S-17-1-GF
Height	UP TO 17'- 1"	
Capital	68"	
Base	NA	
Throat	39"	
Shaft	49"	

Column molded in halves W/4 sections  
 Bonding flanges continuous  
 Shipping weight approx. 150 lb.



4 SECTION COLUMN



MODEL S - 17 - 1 - GF

FLORIDA  
 COLUMNS

MANUFACTURED BY:  
 © ALL RIGHTS RESERVED

SPAULDING CRAFT INC.  
 TEL 727-726-2316 FAX 725-2897