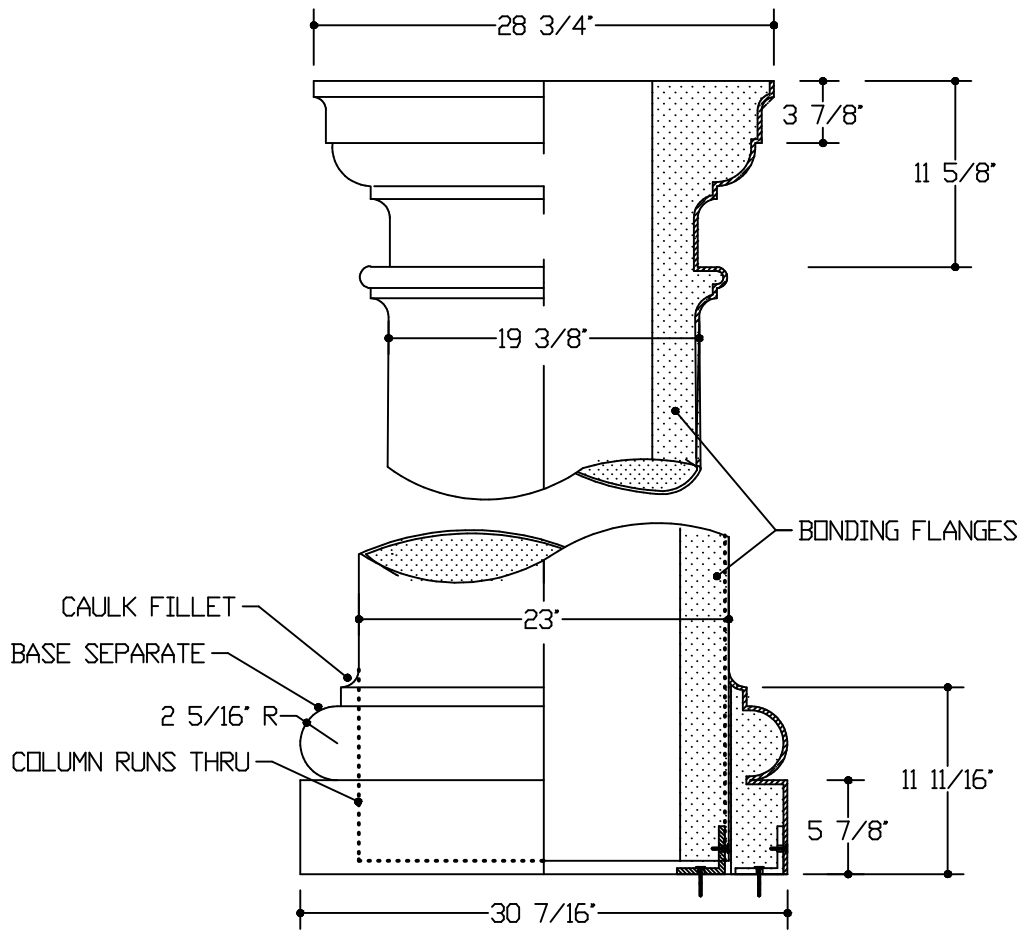


BASE ATTACHMENT DETAILS



CF FLORIDA
C O L U M N S

S - 1 4 - 6 - T

MANUFACTURED BY: **SPAULDING CRAFT INC.**
 © ALL RIGHTS RESERVED TEL 727-726-2316 FAX 725-2897