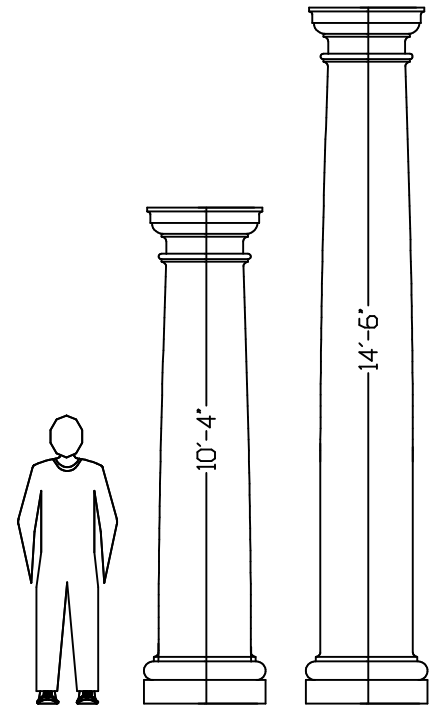
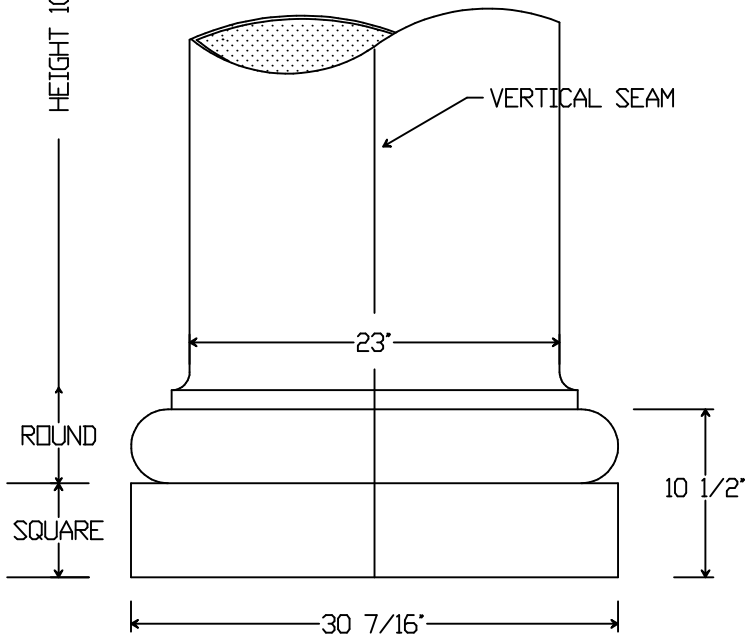
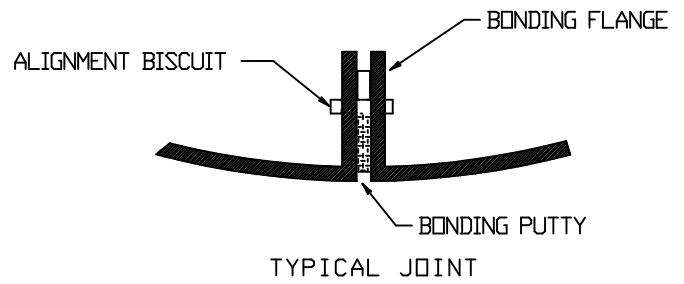
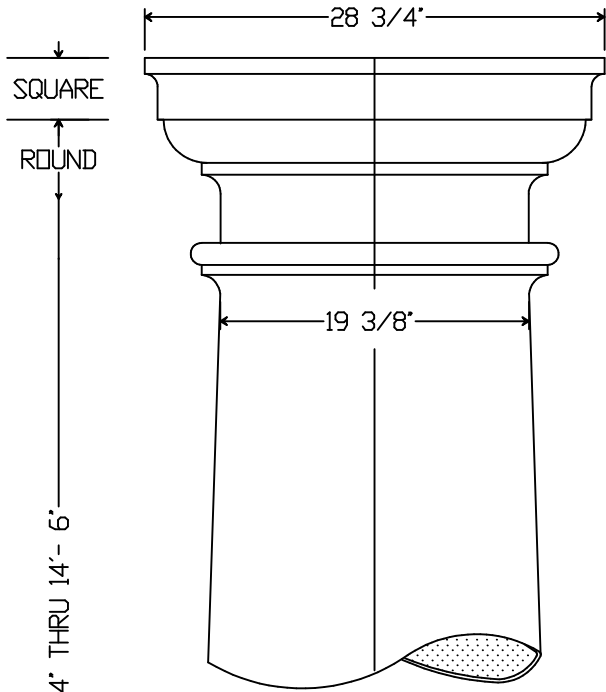


COLUMN	Tuscan	S-14-6-T
Height"	10'-4" TO 14'-6"	
Capital	28 3/4" sq	
Base	30 7/16" separate	
Throat	19 3/8"	
Shaft	23"	
Column is molded in halves		
Bonding flanges continuous		
Shipping weight approx. 80 LB.		



MODEL S - 14 - 6 - T

FLORIDA  
COLUMNS

MANUFACTURED BY:  
© ALL RIGHTS RESERVED

SPAULDING CRAFT INC.  
TEL 727-726-2316 FAX 725-2897