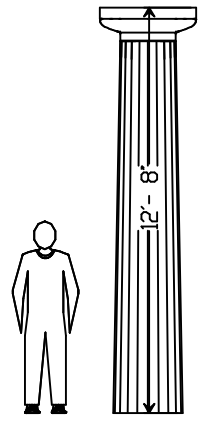
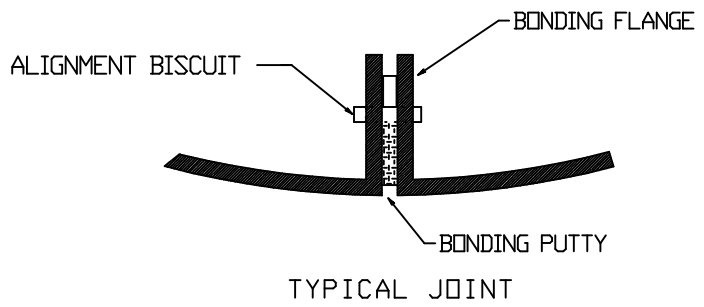
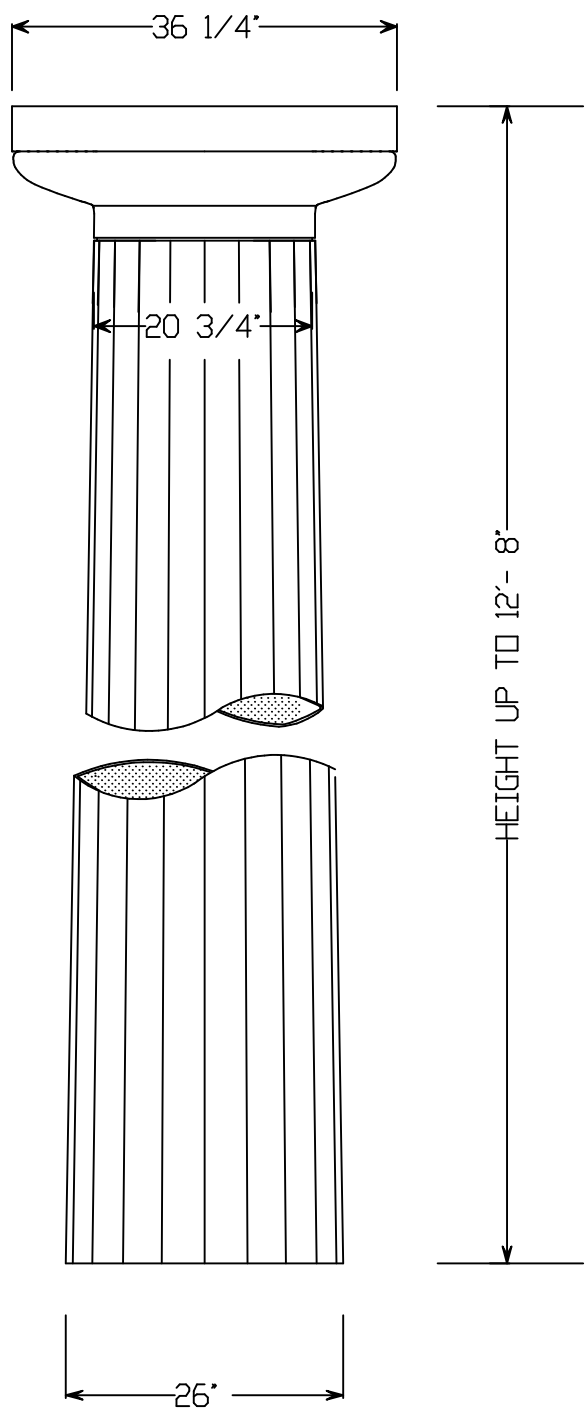


COLUMN	GREEK	S-12-08-GF
Height	UP TO 12'-8"	
Capital	36 1/4"	
Base	NA	
Throat	20 3/4"	
Shaft	26"	
Column is molded in halves		
Bonding flanges continuous		
Shipping weight approx. 100 lb.		



CF FLORIDA
CO LUMNS

MANUFACTURED BY:
© ALL RIGHTS RESERVED

MODEL S-12-08-GF
SPAULDING CRAFT INC.
TEL 727-726-2316 FAX 725-2897