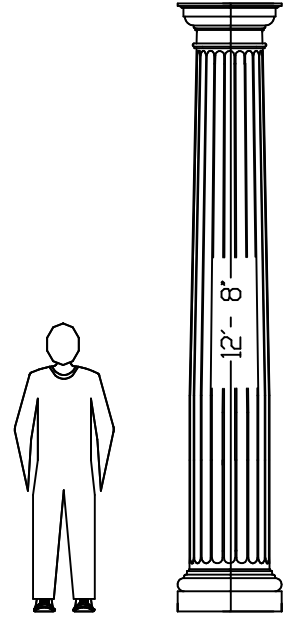
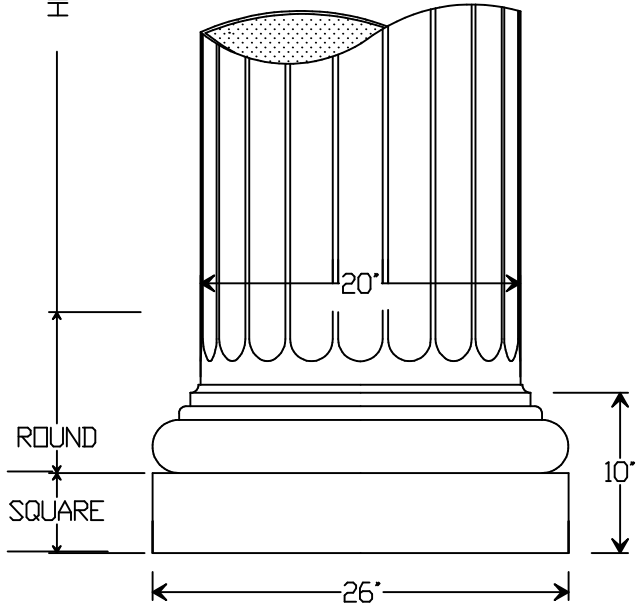
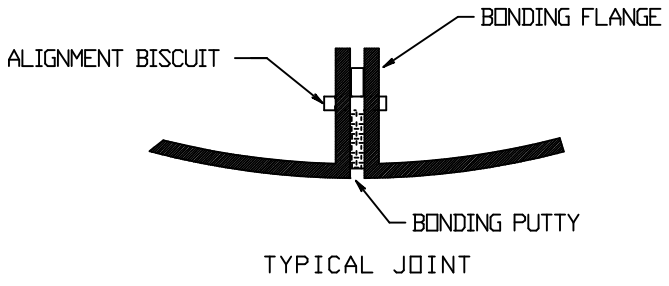
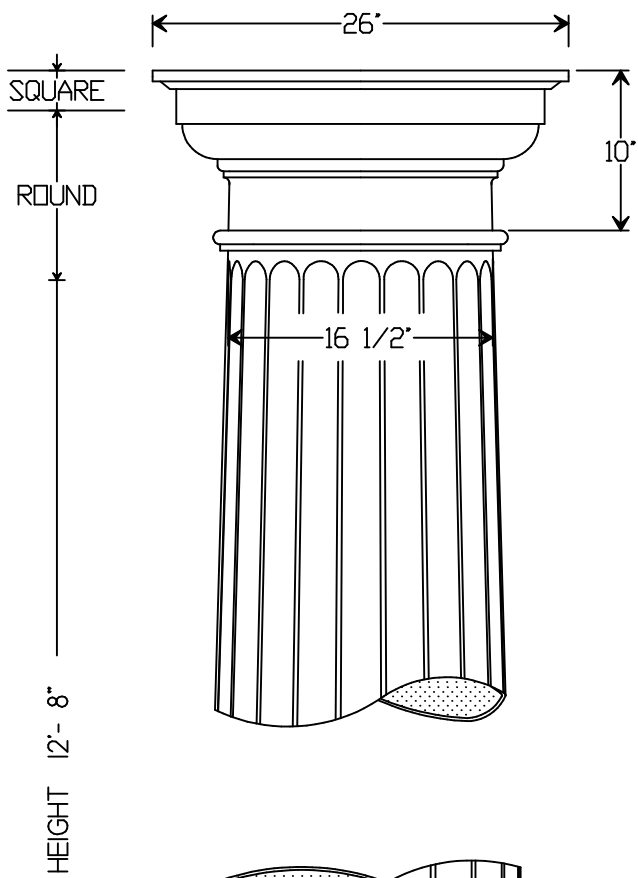


COLUMN	Doric	S-12-8-DF
Height fixed	12'-8"	
Capital	26" sq.	
Base	26"	
Throat	16 1/2"	
Shaft	20"	
Column is molded in halves		
Bonding flanges continuous		
Shipping weight approx.		85 lb.



MODEL S - 12 - 08 - DF

FLORIDA
COLUMNS

MANUFACTURED BY:
© ALL RIGHTS RESERVED

SPALDING CRAFT INC.
TEL 727-726-2316 FAX 725-2897