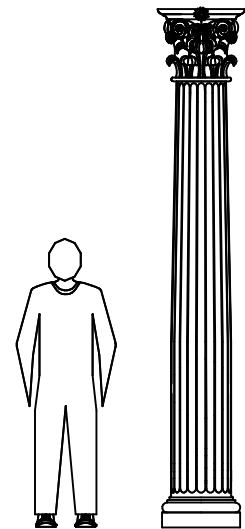
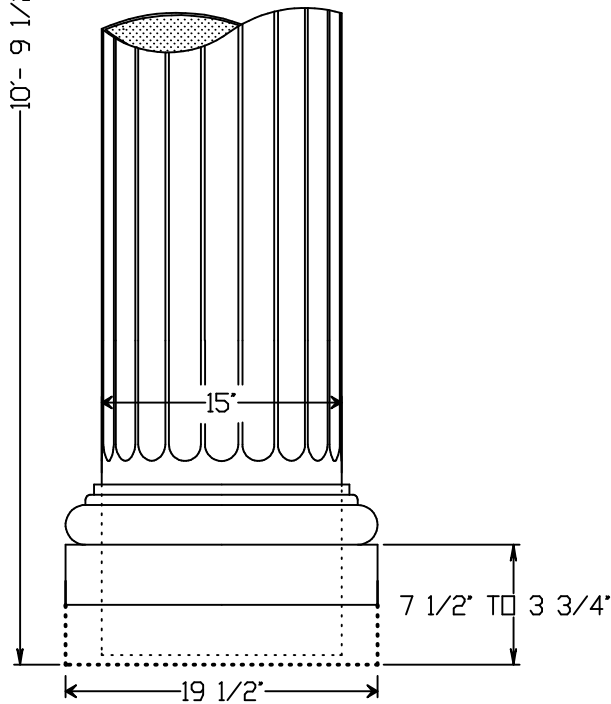
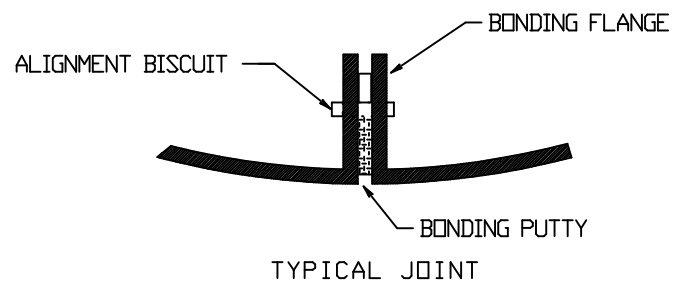


COLUMN	CORINTHIAN	S-11-00-CF
Height	10'-9 1/2 TO 11'-1 1/2'	
Capital	22"	
Base	19 1/2"	
Throat	12 7/16"	
Shaft	15"	
Column is molded in halves		
Bonding flanges continuous		
Shipping weight approx.		100 lb.



MODEL S - 11 - 00 - CF

CF FLORIDA
COLUMNS

MANUFACTURED BY:
© ALL RIGHTS RESERVED

SPAULDING CRAFT INC.
TEL 727-726-2316 FAX 725-2897