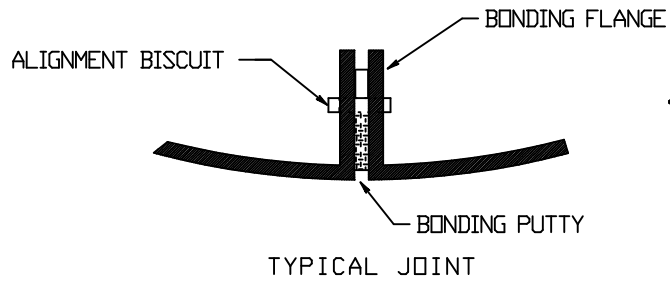
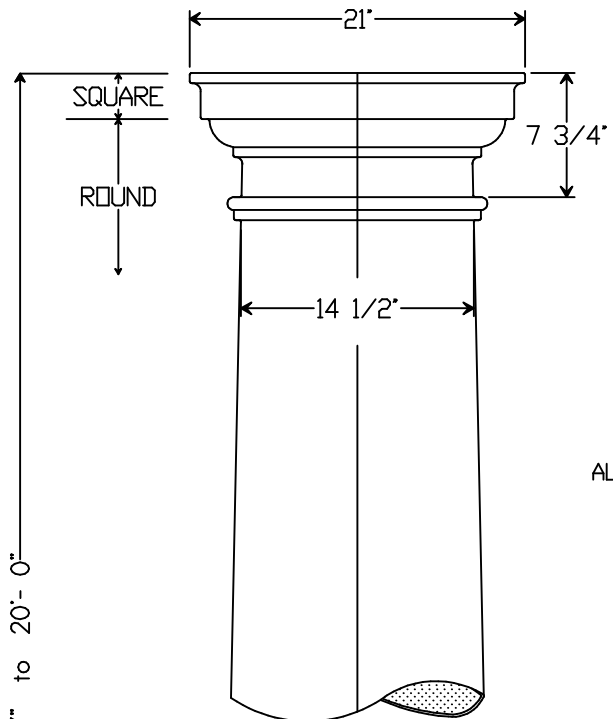
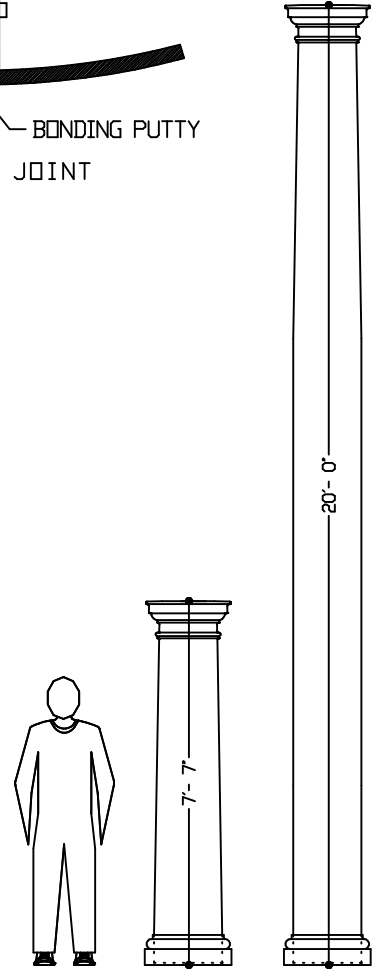
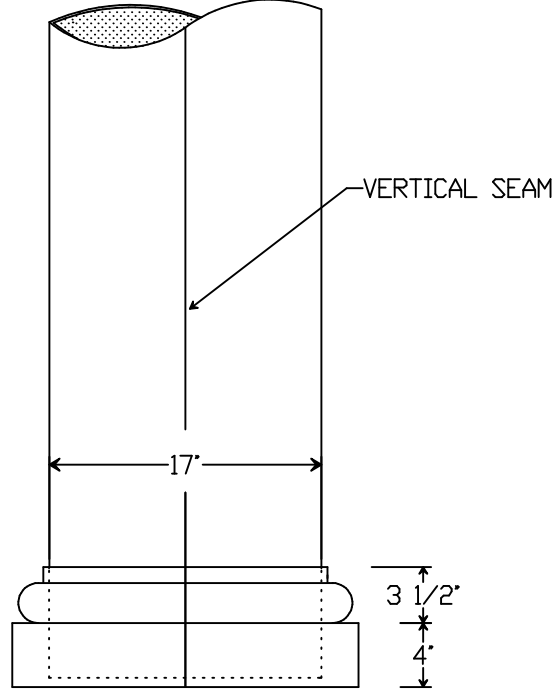


COLUMN	Tuscan	S-10-0-T1
Height Range	7'-7" to 20'-0"	
Capital	21" sq.	
Base	21 5/8" separate	
Throat	14 1/2"	
Shaft	17"	
Column is molded in halves		
Bonding flanges continuous		
Shipping weight approx.		90 LB.



HEIGHT RANGE 7'-7" to 20'-0"



MODEL S-10-0-T

FLORIDA
COLUMNS

MANUFACTURED BY:
© ALL RIGHTS RESERVED

SPAUDING CRAFT INC.
TEL 727-726-2316 FAX 725-2897