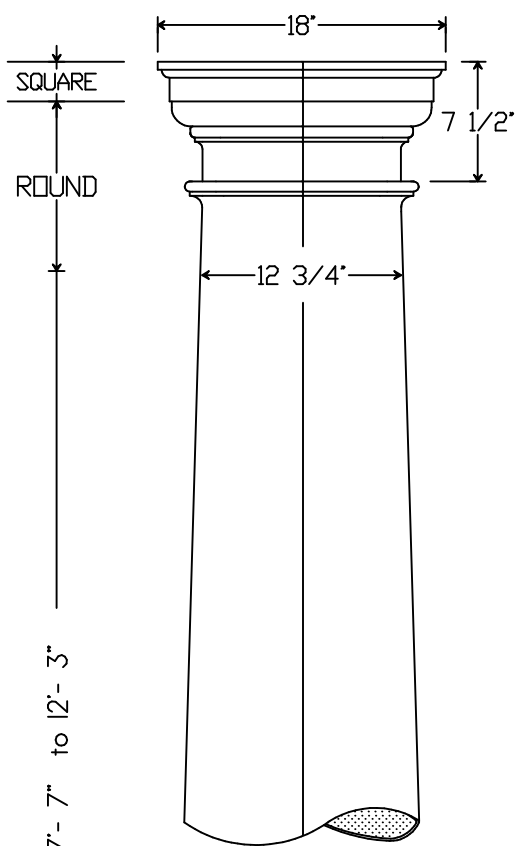
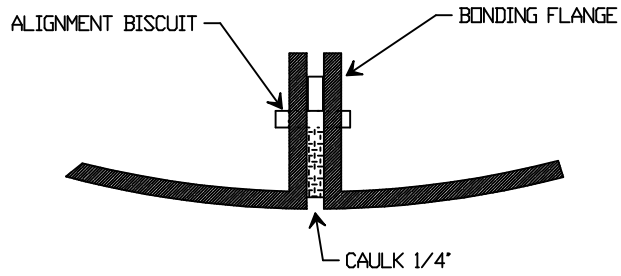


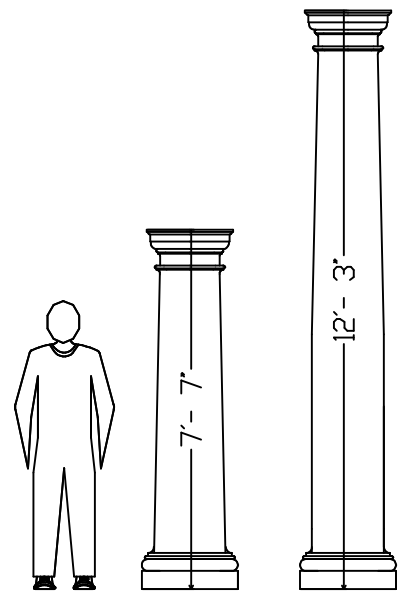
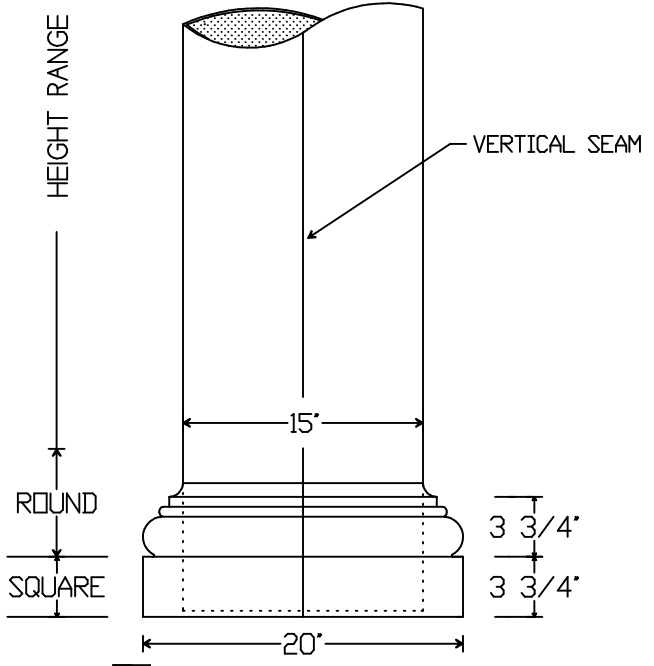
COLUMN	Doric	S-10-0-D
Height Range	7'-7" to 12'-3"	
Capital	18" sq.	
Base	20" separate	
Throat	12 3/4"	
Shaft	15"	
Column is molded in halves		
Bonding flanges continuous		
Shipping weight approx.		60 lb.



HEIGHT RANGE 7'-7" to 12'-3"



TYPICAL JOINT



**FLORIDA  
COLUMNS**

MANUFACTURED BY:  
© ALL RIGHTS RESERVED

**SPAULDING CRAFT INC.**  
TEL 727-726-2316 FAX 725-2897