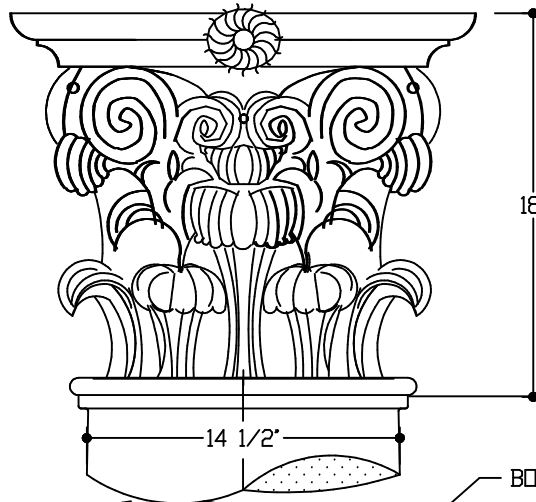


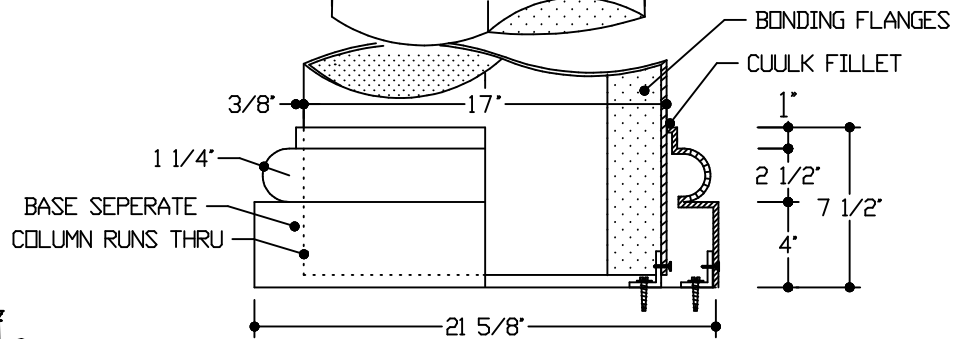
BASE ATTACHMENT AND FLANGE DETAILS

22'



18'

14 1/2'



1'

2 1/2'

7 1/2'

4'

21 5/8'

CF
FLORIDA
COLUMNS

S-10-0-C

MANUFACTURED BY: SPAULDING CRAFT INC.
© ALL RIGHTS RESERVED TEL 727-726-2316 FAX 725-2897